

PFS-Controller

Signal processing unit for Pulsed Flow Sensor PFS-Vx

Product Summary

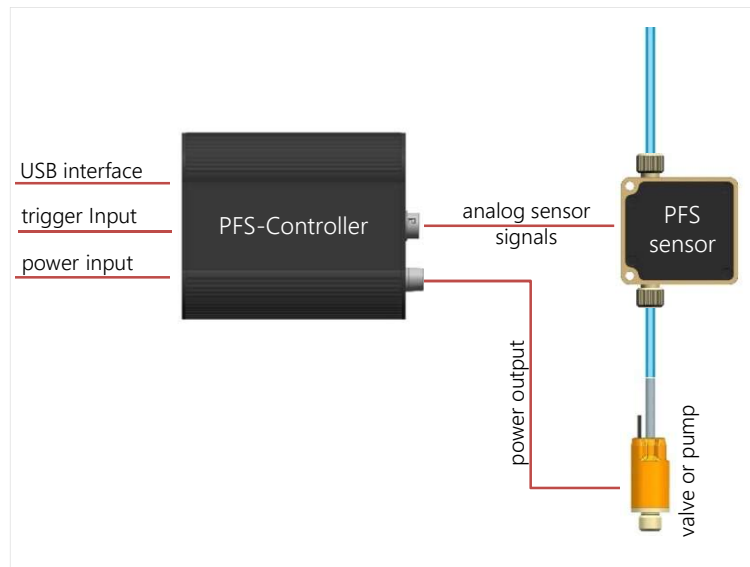
The PFS-Controller is the default signal processor for the Pulsed Flow Sensor. It measures the fluid pressure, the fluid temperature and calculates the volume flow with an update rate of up to 20 kHz.

Further the PFS-Controller has a time and current controlled output for driving an actuator such as an electromagnetic valve or a DC- or membrane- pump. This enables an excellent synchronization between Sensor and actuator.



Features

- Flow rate measurement
- Sampling rates up to 20 kHz
- Continuous or pulsed flow-measurement
- Automatic volume Integral calculation
- USB Serial Interface (VCP)
- Power output for actuators
- Trigger input for external control
- Graphical User Interface for quick start and configuration available



Technical Data

Ordering Nr.	PFS-C-1.3
Power supply	24 VDC
Control interface	USB 2.0, virtual com port (VCP) ASCII terminal commands or graphical user interface
Trigger input	5-24 VDC, 1mA Connector type: Phoenix FK-MC_0,5
power output	Time and current controlled (PWM \pm 24 VDC) Connector type: Lumberg RKM 3/0,5 M (3 pin)
Sensor signal readout	Readout of PFS-Vx Sensors Connector type: HiRose HR10A-10R-10S
Housing dimensions	L x W x H: 108.3 x 86.5 x 36