

OEM-C Flow Sensor

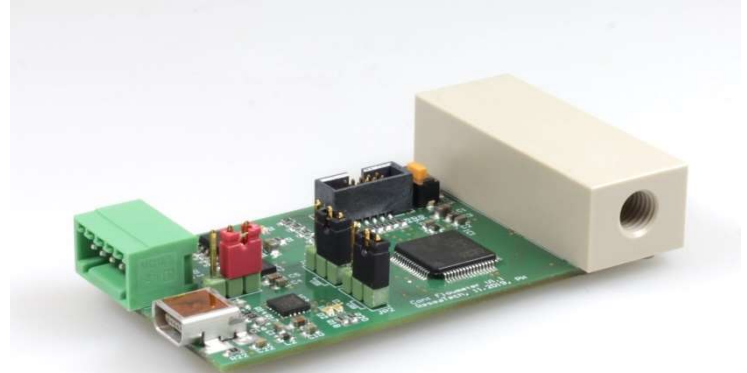
Series/Type: differential-pressure

Date: 8.5.2020
Version: 1.6



Product summary

Highly sensitive flow sensor for sampling and dosing applications.

- OEM-Design
- Volume flow measurements up to 100 ml/min
- Pulse measurement > 20 μ l
- For water, oil and other low viscous media (< 100 mPas)
- Insusceptible to bubbles



Technical Data

Ordering Nr.	OEM-C-B0/B1/B2
Connectors	¼-28 UNF flat bottom
Materials in contact with media	PEEK, FPM stainless steel, fluorosilicone
Dimensions	72x40x15 mm
Weight	20 g
Supply voltage	5 VDC
Standby current consumption	< 50 mA
Accuracy of volume flow [ml/min]	± 2 % full scale
Communication	RS-485, USB
Conformity	 

Version		OEM-C	OEM-C-	OEM-C-	
Parameters	Symbol	B0	B1	B2	Unit
Flow rate	V'	0 - 15	0 - 30	0 - 100	ml/min
Calibrated flow rate	V'	1 - 15	3 - 30	10 - 100	ml/min
Operating pressure	p_w	0.0 - 1.8	0.0 - 1.8	0.0-1.8	bar (absolute)
Over pressure	p_o	4	4	4	bar (absolute)
Burst pressure	p_b	6	6	6	bar (absolute)
Working temperature	T_w	10 - 50	10 - 50	10 - 50	°C
Flow detection response time	T_{63}	10	10	10	ms
Restrictor orifice diameter	D_{min}	200	300	500	μ m