

# B-drop dosing units

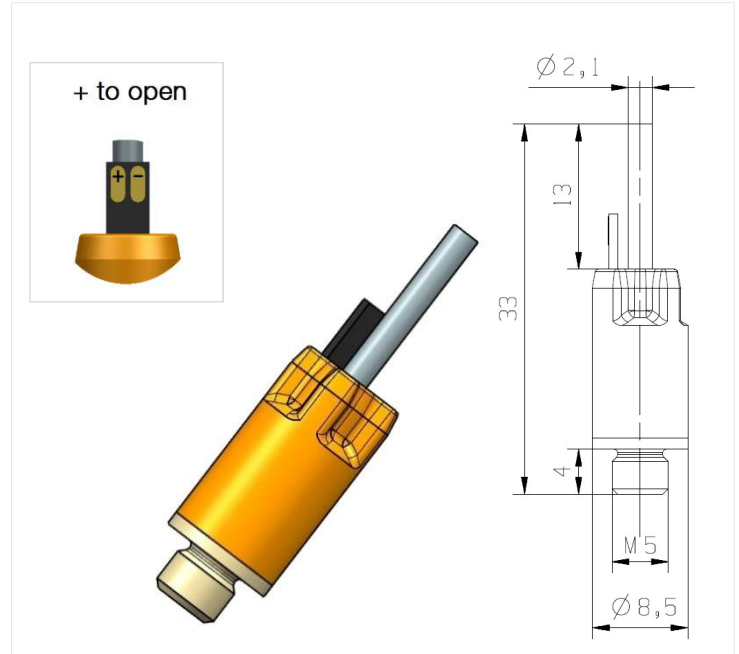
Series/Type: : B-drop mini TM

Date: 06.03.2020  
Version: 1.6

## Product summary

Single-use micro dosing valve for fluids and gases

- Single use technology
- Sterile packaging (on request)
- Biocompatible material
- elastic silicon seal



## Technical Data

|                                 |  |
|---------------------------------|--|
| Ordering No.                    | BD-M-250   |
| Type                            | 2/2 way, normally closed                         |
| Nozzle Diameter                 | 0.2 mm   |
| Mounting thread                 | M5   |
| Control type                    | Peak-hold, (active close)                        |
| Materials in contact with media | silicone, stainless steel, PPSU, epoxy, parylene |
| Control with                    | ReseaTech 4-Channel Valve Controller             |
| Filter                          | None   |
| Internal volume                 | 54 µl  |

| Parameters                                    | Symbol | Min.      | Max. | Unit                  |
|---|--------|-----------|------|-----------------------|
| Flow range (pressure and viscosity dependent) | V'     | 0         | 20   | ml/min                |
| Dosing frequency                              | f      | -         | 200  | Hz                    |
| Coil resistance                               | Rc     | 2.8       | 3.6  | Ohm                   |
| Peak current                                  | Ap     | 1         | 2.0  | A                     |
| Peak time                                     | Tp     | 0         | 300  | µs (typically 200 µs) |
| Hold current                                  | Ah     | 0.4       | 0.6  | A                     |
| Duty cycle                                    | Pmean  |           | 0.4  | W                     |
| Dynamic viscosity range                       | η      | 1         | 20   | mPas (cPs)            |
| Switching cycles (with clean water)           | n      | 1'000'000 | -    |                       |
| Recommended operating pressure                | pw     | 0.5       | 5    | bar (over pressure)   |
| Operating temperature                         | Tw     | 10        | 40   | °C                    |

ReseaTech GmbH | Pestalozzistrasse 16 | 3400 Burgdorf | Switzerland  
www.reseatech.ch | info@reseatech.ch



This information corresponds to the current state of knowledge. Reseatech reserves the right to make technical changes. Liability for consequential damage resulting from the use of Reseatech products is excluded