

PFS-Controller

TECHNICAL DATA SHEET

Version: 1.5 - 7.1.2018

Signal processor for Pulsed Flow Sensor PFS-VX

Product Summary

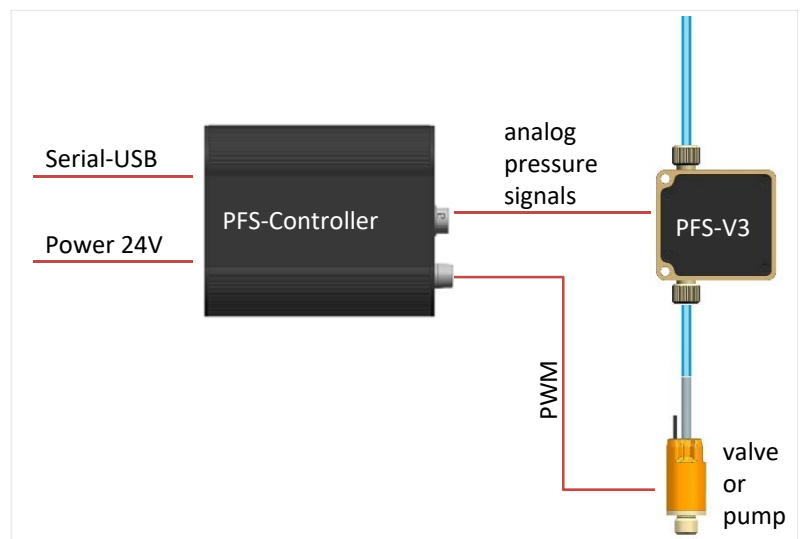
The PFS-Controller is the standard interface to process sensor data from the Pulsed Flow Sensor. It is used to calculate the volume flow from a differential pressure signal and it measures fluid pressure and temperature.

Further the PFS-Controller has a PWM output to control an actuator such as an Electromagnetic valve or a DC- or membrane- pump. This enables a good synchronisation between Sensor and actuator.



Features

- Flow rate measurement
- Sampling rates up to 20 kHz
- Automatic volume Integral calculation
- Continuous or pulsed flow-measurement
- PWM output for actuators
- Serial Interface
- Graphical User Interface for system setup



Technical Data

Ordering Nr.	PFS-Controller V1.1
Power supply	24 V
Control interface	User Interface Software, Serial commands
Analog output	0 .. 10 VDC
PWM output	Peak & Hold, bipolar, configurable (max. 24V / 2A) Connector Type: Lumberg RKM 3/0,5 M (3 pin)
Sensor signal readout	Readout of PFS-VX Sensors Connector Type: HiRose HR10A-10R-10S(10 pin)
Housing dimensions	L x W x H: 108.3 x 86.5 x 36