

# B-drop dosing units

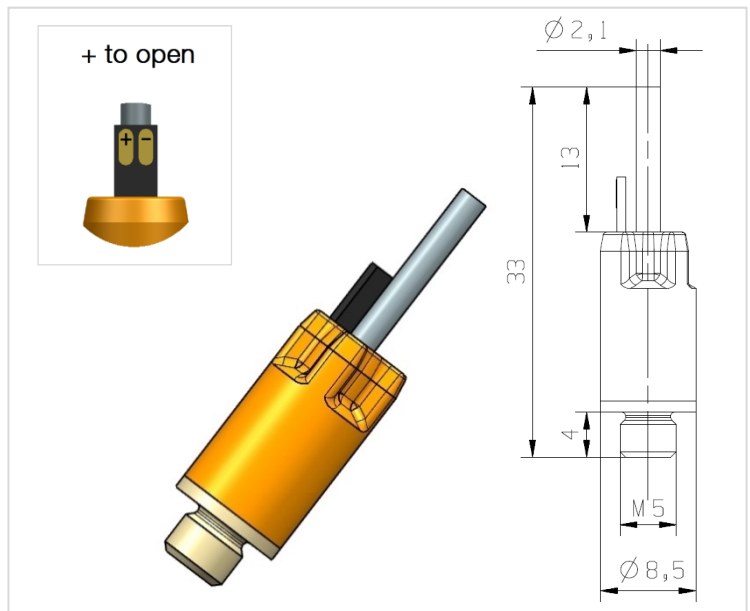
Series/Type: : B-drop mini <sup>TM</sup>

Date: 2016.08.05

Version: 1.4

Single use micro dosing valve for fluids and gases

- Single use technology
- Sterile packaging (on request)
- Biocompatible material
- elastic silicon seal



## Technical Data

Ordering No.	BD-M-250
Type	2/2 way, normally closed
Nozzle Diameter	0.2 mm
Mounting thread	M5
Control type	Peak-hold, (active close)
Materials in contact with media	silicone, stainless steel, PPSU, epoxy
Control with	ReseaTech 4-Channel Valve Controller
Filter	None
Internal volume	54 $\mu$ l

Parameters	Symbol	Min.	Max.	Unit
Flow range (pressure and viscosity dependent)	V'	0	20	ml/min
Dosing frequency	f	-	50	Hz
Coil resistance	R <sub>c</sub>	2.8	3.6	Ohm
Peak current	A <sub>p</sub>	1	2.0	A
Peak time	T <sub>p</sub>	0	300	$\mu$ s (typically 200 $\mu$ s)
Hold current	A <sub>h</sub>	0.4	0.6	A
Duty cycle	P <sub>mean</sub>		0.4	W
Dynamic viscosity range	$\eta$	1	20	mPas (cPs)
Switching cycles (with clean water)	n	1'000'000	-	
Recommended operating pressure	p <sub>w</sub>	0.5	5	bar (over pressure)
Operating temperature	T <sub>w</sub>	10	40	°C

Note: Valve life expectancy is dependent on duty cycle, temperature and media type. High power closing peaks may increase wear of seal. Never run micro valves dry. Damage due to overheating may occur!

ReseaTech GmbH | Pestalozzistrasse 16 | 3400 Burgdorf | Switzerland  
www.reseatech.ch | info@reseatech.ch



This information corresponds to the current state of knowledge. ReseaTech reserves the right to make technical changes. Liability for consequential damage resulting from the use of ReseaTech products is excluded